

G01FCH Female Indexed Clamping Handle

Features

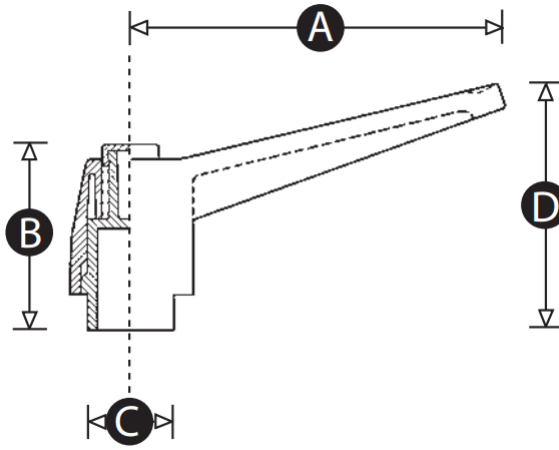
- Reinforced nylon handle with cap

Material

- Handle: Reinforced nylon (15% glass filled PA6)
- Insert: Brass

Notes

- Other colour combinations and insert material are available on request (MOQs apply)



Part No.	A	B	C	D	Thread Size	Insert Material	Handle / Cap Combination
G01FCH-11424Y	43	26	12	32	M5	Brass	Black / Red
G01FCH-11425U					M6		
G01FCH-11426Q	65	37	15	46	M6		
G01FCH-11427X					M8		
G01FCH-11429P	83	46	19	57	M10		
G01FCH-11428T					M8		
G01FCH-11431S	104	51	24	68	M12		
G01FCH-11432Z					M16		